

Mechanical Style Pressure Switch

Series IS1000

Long life: 5 million cycles



IS1000-01 IS1000-01-X202

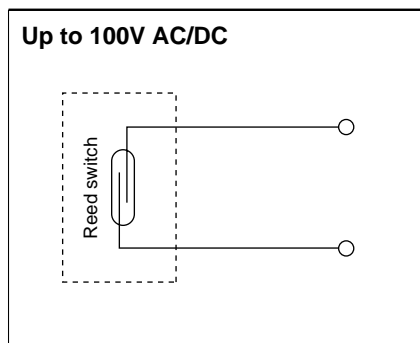
Specifications

Model	IS1000-01
Proof pressure	1.0MPa
Max. pressure	0.7MPa
Operating pressure range	0.1 to 0.6MPa
Hysteresis	0.08MPa
Repeatability	±0.05MPa
Contact	1a
Electrical entry	Grommet, Lead wire length 0.5m (Standard)
Fluid	Air
Ambient and fluid temperature	-5 to 60°C (No freezing)
Port size	R(PT)1/8
Weight	74g

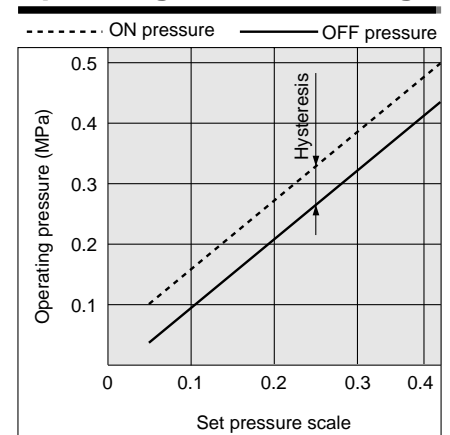
Switch Characteristics

Max. contact capacity	2V AC, 2W DC		
Voltage	24V AC/DC or less	48V AC/DC	100V AC/DC
Max. operating current	50mA	40mA	20mA
Shock resistance	30G		

Electrical Circuit



Operating Pressure Range



How to Order

IS1000 — 01 S — — Q

Port size

01	R(PT) 1/8
N01	NPT 1/8

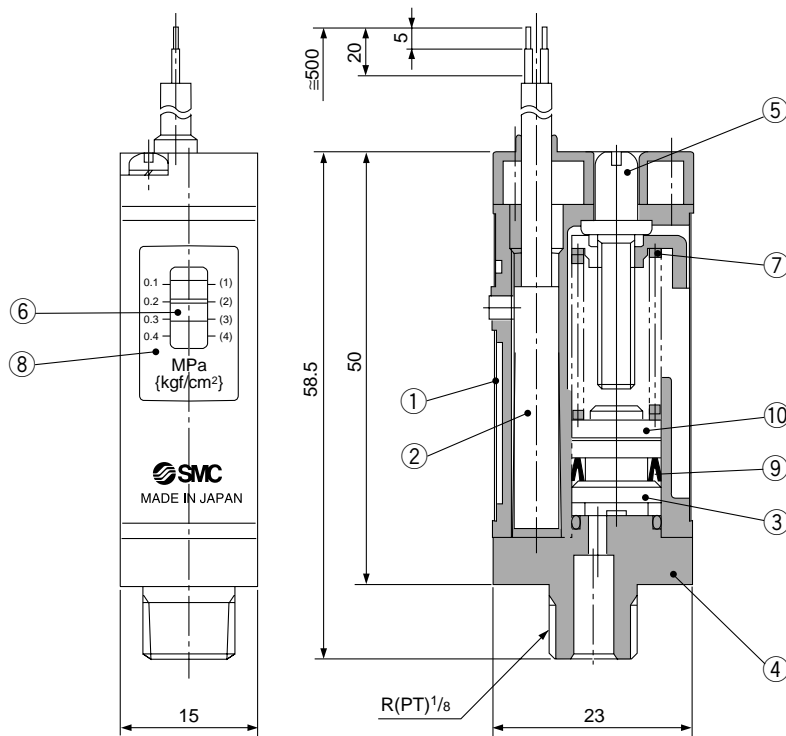
Sealant

—	None
S	With sealant

Optional

X201	Lead wire length 3m
X202	Operating pressure range 0.1 to 0.6MPa
X215	Lead wire length 3m Operating pressure range 0.1 to 0.6MPa

Construction



Components

No.	Description	Material
①	Shield plate	Rolled steel plate
②	Switch ass'y	—
③	Piston	Oil polyacetal
④	PT fittings	Zinc die cast
⑤	Adjustment screw	Brass (Electrical nickel plated)
⑥	Pointer	Vinyl chloride
⑦	Spring	Stainless steel 304-WPB
⑧	Scale plate	Rigid vinyl chloride
⑨	Miniseal Y type	NBR
⑩	Magnet	Rare earth magnet

PS

ZSE
ISE

PS

ISA

IS

ZSM

PF

IF

⚠ Precautions

Be sure to read before handling.

Refer to p.0-26 and 0-27 for Safety Instructions and common precautions, on the products mentioned in this catalogue, and refer to p.3.0-7 to 3.0-9 for precautions on every series.

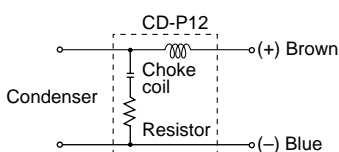
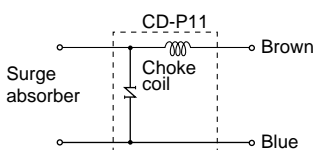
Wiring

⚠ Warning

- Connect lead before connecting with power source.
- In the case of induction load or lead wire exceeding 5m long, the following contact protection box should be used.

Part No.	Voltage	Lead wire length
CD-P11	100V AC	Switch side: 0.5m
CD-P12	24V DC	Load side: 0.5m

③ Internal circuit of contact protection box



④ How to connect contact protection box

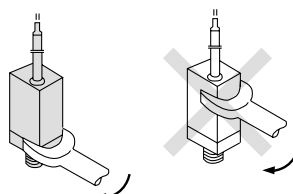
Connect the lead wires from the body and the contact protective box side indicated "SWITCH".

Lead wire should be as short as possible, within 1m.

Installation/Piping

⚠ Warning

- When changing piping by hand, hold body. Electrical wire must not be subjected to excessive force.
- Do not drop nor apply an excessive force.
- Tighten IS1000-01 applying the spanner on the PT fitting part.



Air Supply

⚠ Warning

- Do not use with corrosive gases or fluids.
- Avoid use in vacuum applications. Switch may implode.

Pressure Setting

⚠ Caution

- Set pressure scale at the value of the Pressure drop.
- When detecting ON-pressure signal, note that set pressure on scale plate plus ON-OFF differential (Hysteresis) will be ON-pressure signal.

Environment

⚠ Warning

- Avoid using a switch in a magnetic environment. It may cause a malfunction.
- Do not use in an environment with water or splashing oil to avoid malfunction or damage to switch caused by corrosion of the electric circuit.